

MAINTENANCE AND CLEANING

The surface of FENIX NTM involves the use of nanotechnology and is obtained through next generation resins developed by Arpa Industriale. Thanks to its technology, FENIX NTM features advance properties. Besides the main ones, such as an extremely matt, soft touch, and anti-fingerprint surface, and the thermal healing of microscratches, this innovative material stands out for specific properties which facilitate normal cleaning and do not require particular maintenance. In fact, it is extremely easy to clean and is resistant to mold, it has enhanced anti-bacterial properties, it is resistant to rub, scratches and abrasion, as well as to acid solvents and household reagents.

Ordinary maintenance

FENIX NTM surface should be cleaned regularly but does not require any special maintenance, just a damp cloth with warm water or mild detergents. Almost all normal household cleaning products or disinfectants are perfectly well tolerated. It is suggested to use a melamine foam sponge - also known as magic sponge - for the normal cleaning and maintenance of the surface.

Extraordinary maintenance

In case of dirt which cannot be cleaned with normal household detergents, due to the irregular topography and closed surface of FENIX NTM, the use of non-aggressive aromatic solvents (acetone) is suggested. In case of micro scratches, please refer to the specific surface thermal healing instructions.

Recommendations for cleaning the surface of FENIX NTM

The table below shows the cleaning products and methods best suited to different types of dirt.

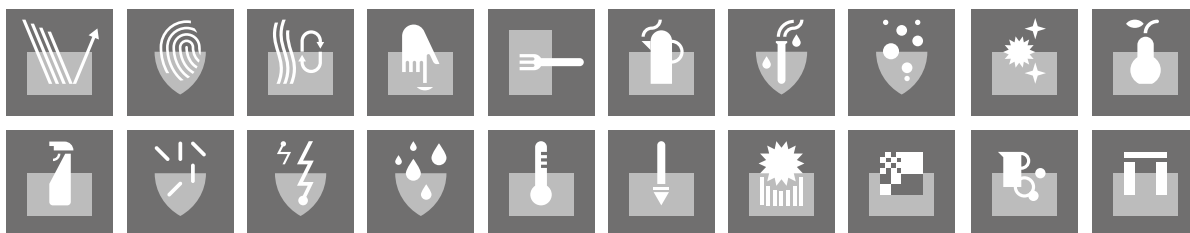
Type of dirt	Recommended cleaning product and method of application
Syrup, fruit juice, jam, spirits, milk, tea, coffee, wine, soap and ink	Water with a sponge
Animal and vegetable fats, sauces, dry, blood, dry wine and spirits, eggs	Cold water with soap or household detergent with a sponge
Smoke, gelatine, vegetable and vinyl, based glues, organic waste, gum arabic	Hot water with soap or household detergent with a sponge
Hair spray, vegetable oil, biro and felt tip, pens, wax, foundations and greasy make-up, residual solvent marks	MEK, alcohol, acetone with a cotton cloth
Nail polish, spray lacquer, linseed oil	Acetone with a cotton cloth
Neoprene glues	Trichloroethane with a cotton cloth
Traces of silicone	Wooden or plastic scraper, taking care not to scratch the surface
Lime deposits	Detergents containing low percentages of citric or acetic acid (10% max.)

General precautions

For best results in cleaning FENIX NTM, it is important to remember certain precautions:

- although very durable, the surface of FENIX NTM must still never be treated with products containing abrasive substances, abrasive sponges or unsuitable products, such as sandpaper or steel wool;
- products with a high acid or very alkaline content should be avoided because they can stain the surface;
- when using solvents, the cloth used must be perfectly clean so as not to leave marks on the FENIX NTM surface. Any streaks can still be removed by rinsing with hot water and drying;
- avoid furniture polishes and wax based cleaners in general, because they tend to form a sticky layer on the dense FENIX NTM surface, to which the dirt adheres.

FENIX NTM is a material for interior design with advance surface features.

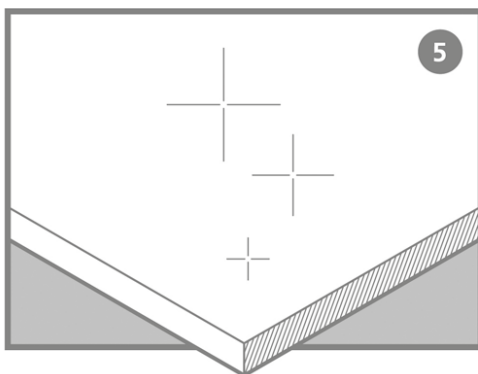
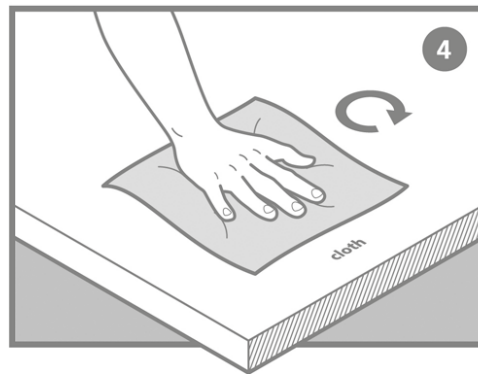
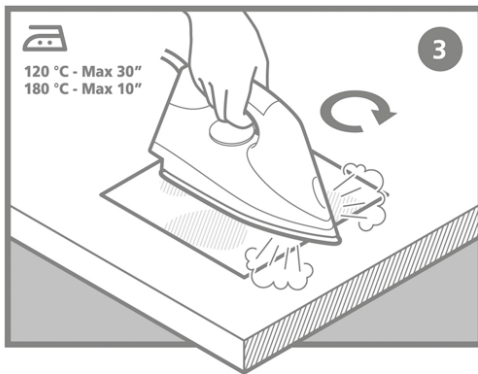
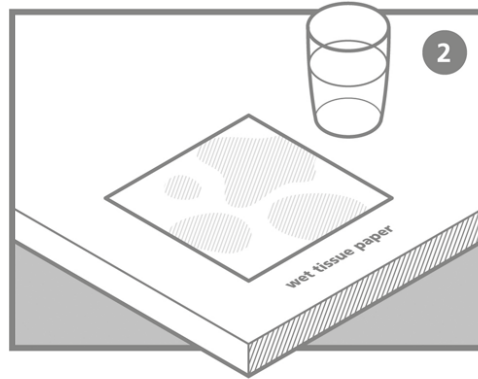
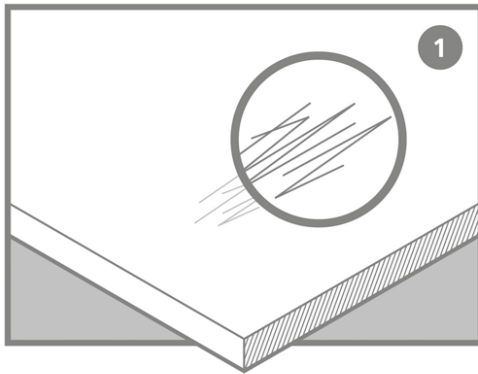




Thermal healing
of microscratches

MAINTENANCE INSTRUCTIONS

IRON



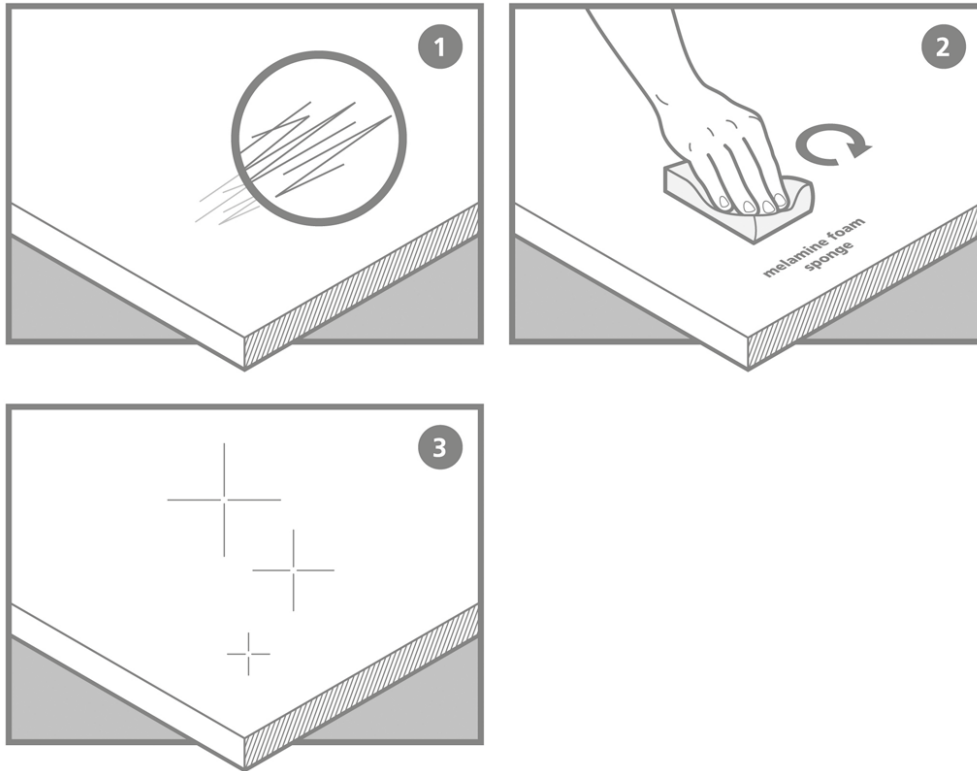
FENIX NTM is a material for interior design with advance surface features.





Thermal healing
of microscratches

MAINTENANCE INSTRUCTIONS MELAMINE FOAM SPONGE



FENIX NTM is a material for interior design with advance surface features.

